

Sturbridge Arbor

ASSEMBLY INSTRUCTIONS

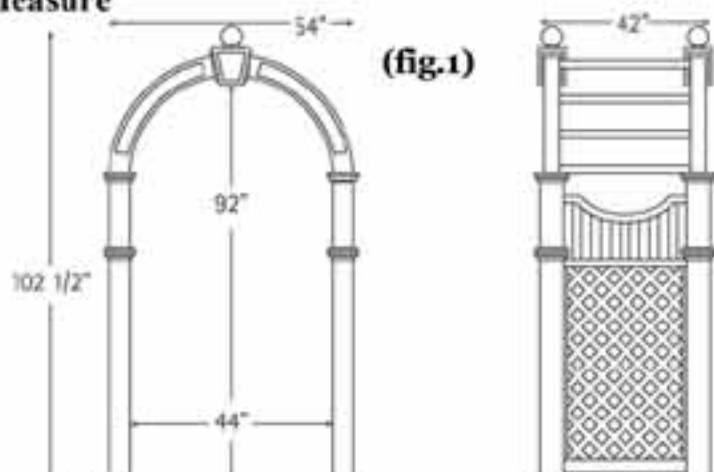


General Information

- Read all instructions thoroughly before assembly
- Identify all components.
- Place vinyl components on non-abrasive surface
- Do not use excessive force when assembling components

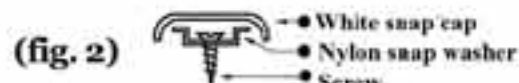
Tools required

- Cordless drill with #2 Phillips or Robertson bit
- Shovel
- Tape Measure
- Level



MATERIALS INCLUDED:

PART #	QUANTITY	DESCRIPTION
1	2	Ball Caps
2	2	Keystones
3	4	Curved Arches
4	4	Post Caps
5	8	Spindles
6	2	Pre-fabricated Side panels
7	1	Hardware Kit
	8	2" Screws (stainless steel)
	24	1 1/4" Screws (stainless steel)
	16	Vinyl Snap Caps & Washers
	4	5 x 5 x 2' Post Extensions (Wood)
	1	Tube of Vinyl Cement



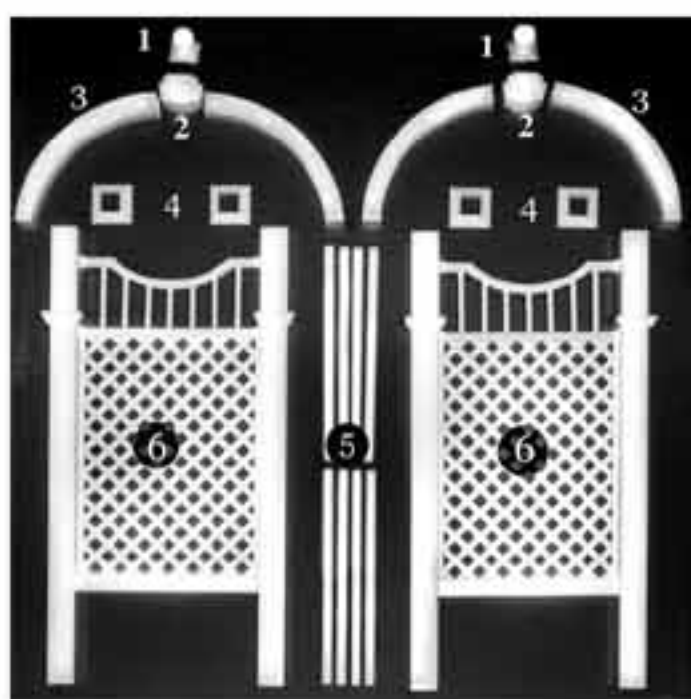
STOP!

Please Do Not Return To The Store!

We regret that although great care and effort has been taken, occasionally problems may occur. To insure prompt and correct handling of any problems, such as missing parts or assembly, please contact our Toll-Free Customer Service Number listed below. Service will be quicker if you have your assembly instructions ready when you call.

TOLL-FREE CUSTOMER SERVICE NUMBER
1-800-282-9346 ext. 10

(Weekdays from 8:00 am - 4:00 pm EST)



Step #1



Snap together curved arch part # 3 to keystone part # 2. Screw arch to keystone in position illustrated above using a 1 1/4" screw and cap washer assembly (fig.2).

Step #2



Flip arch / keystone over. Using a 1 1/4" screw and cap washer assembly (fig.2) screw arch to keystone in position illustrated. With pre-routed holes facing the same side, snap opposite curved arch to keystone and repeat steps #1 and # 2. Repeat steps #1 and #2 for opposite side of arch assembly.

Step #3



Lay out one side of the arch assembly with pre-routed holes facing up. Snap spindles, part #5 into each of the routed holes, making sure to push past locking crimp on spindles.

Step #4



Position opposite side of arch assembly over top of spindles and align spindles with pre-routed holes. Snap all spindles past locking crimps into arch assembly.

Step #5



Apply generous amount of vinyl cement (supplied) to the inside lip of keystone ball cap part #1.

Step #6



Place ball cap onto top of keystone on arch assembly. Let cement dry for 30 minutes. Repeat steps #1 and #2 for opposite keystone.

Step #7



Place post caps part #4 over each post on pre-assembled side panels part #6.

Step #8



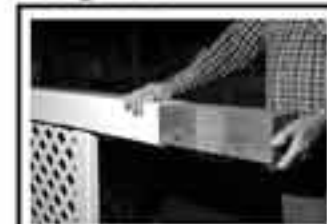
With assistance place complete arch assembly over pre-assembled side panels. Slip arch ends through post caps and into posts.

Step #9



Fasten arch assembly to side panel posts directly under post cap (front and back) using two 2" screws and cap washer assembly (fig.2). Repeat for all four posts.

Step #10



Slip 5x5 wooden post (supplied) 6" up into bottom of each side of panel posts. fasten to vinyl posts using 2 1 1/4" screws (supplied). Repeat for all four posts.

Step #11



Place Arbor in desired location. Measure distances between side panel posts and arch opening see (fig1). Mark post positions on ground. Dig four 30" holes in marked post locations and place arbor back into position.

Step #12



Place level on each side of four posts and check for correct level. Once proper orientation is achieved fill in post holes. (cement optional)