

Semi-Private Fence Columbia

1. Getting Started

- Be sure to call underground prior to digging
- Assemble gates (if necessary) and decide where they will be located
- Stake out the fence line
- Space and mark post hole locations for gate and sections (spacer bar/template may be useful)
- Start at gate end post and work outward to determine proper fence height relative to ground

2. Dig Holes

- Dig holes 30" deep or to frost line
 - hole size for 5 x 5 posts = 12"
- Clean holes and check for straight walls

3. Install First Post

- Insert post in hole
- Determine rough height
- Fill hole around post with concrete mix (sand, gravel and cement) approximately 2" below grade
- Tamp concrete in hole to eliminate air pockets
- Level and square post

4. Install Bottom Rail

- Tape the ends of any rail going into a post that is to be filled with concrete to prevent concrete seepage
- Depress bullet clip and insert bottom rail in post; clip will drop down to hold rail in post

5. Install Second Post

- Insert second post in hole
- Insert bottom rail in post
- Insert block under bottom rail to position at correct fence height
- Fill hole around second post with concrete mix
- Tamp, level and square fence
- Assembly may be continued by installing all bottom rails first, or one section at a time

6. Support and Secure

- Level and square fence
- To lower a post, place a wood block from corner to corner on the post and carefully tap with a mallet
- Never strike the PVC post without a wood support

7. Install Mid-Rail

- Insert mid-rail in first post with larger routed holes facing in the down position

- Insert into second post (Note: This rail floats in post. No bullet clips are required)

8. Install Pickets and Top Rail

- Insert all pickets through mid-rail into bottom rail
- Temporarily remove mid-rail ends from post and pull the section forward
- Insert the top rail over the pickets starting at one end and working along
- Insert the mid-rail and the top rail back into the posts
- Secure top rail inside post with a #8 x 3/4" screw

9. Hang Gate/Install Hardware

- For complete details, see gate installation instructions in hardware box
- Position gate between posts
- Allow 1" gap for the hinge and 3/4" for latch and gate swing
- Block up gate to square with fence; rails should be level
- Gate hardware must be mounted to two sides of the post

10. Solidify Gate Posts

- It is critical that gate hinge and latch posts are solid to ensure proper gate functionality. Two methods are available:
 - A. Concrete and rebar
 - Use two pieces of 1/2" rebar in each hinge, latch and end-post
 - Rebar should extend from the bottom for the hole to 12" from the top of the post
 - Hold rebar in opposite corners of post with rebar separator clips
 - Fill post with concrete mix to cover rebar and hardware fasteners
 - Tamp post with a rubber mallet to eliminate air pockets
 - Leave gate on blocks for 72 hours to allow concrete to set
 - B. Aluminum gate post stiffener
 - Slide aluminum gate stiffener inside hinge, latch or end posts with open end facing routed hole
 - Drive a screw through the vinyl into the aluminum stiffener at the bottom of the post
 - Insert post into the ground
 - Fill hole with concrete around outside of post

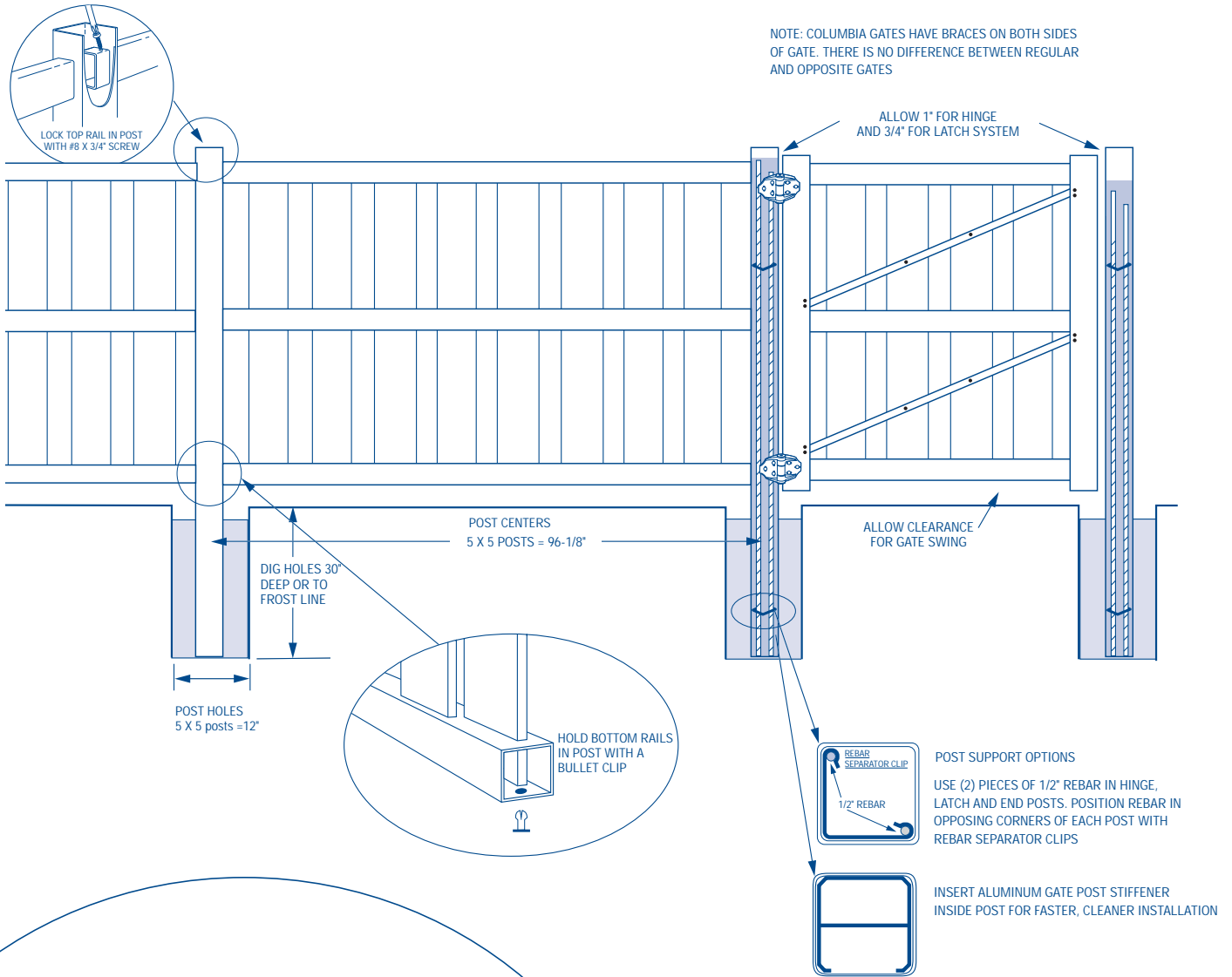
11. Install Caps

- Install post caps
- Caps may be secured with glue, silicone adhesive or #8 x 3/4" screws, caps and washers

For accents, see page 30

Semi-Private Fence

Includes: Columbia

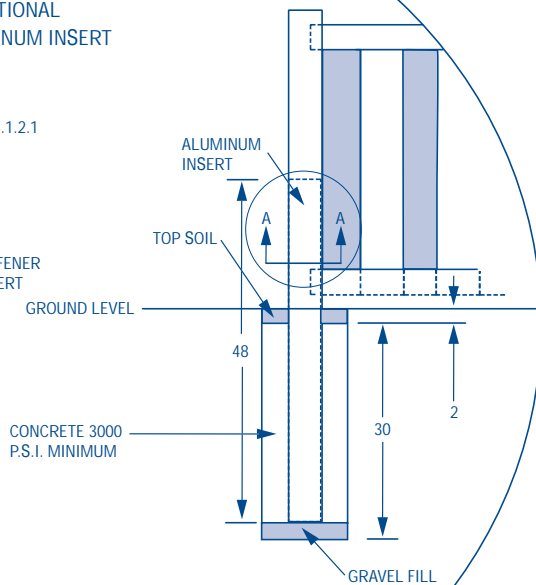


EMBEDMENT DETAIL FOR OPTIONAL LINE POST STIFFENER ALUMINUM INSERT

MINIMUM 48" INSERT REQUIRED TO COMPLY WITH THE HIGH VELOCITY HURRICANE ZONES SECTION R44003.1.2.1 OF THE FLORIDA BUILDING CODE



SECTION A-A
LINE POST STIFFENER
ALUMINUM INSERT



FEATURING
WINDBREAKER
TECHNOLOGY

Semi-Private Fence

Imperial

1. Getting Started

- Be sure to call underground prior to digging
- Assemble gates (if necessary) and decide where they will be located
- Stake out the fence line
- Space and mark post hole locations for gate and sections (spacer bar/template may be useful)
- Start at gate end post and work outward to determine proper fence height relative to ground

2. Dig Holes

- Dig holes 30" deep or to frost line
 - hole size for 5 x 5 posts = 12"
 - hole size for 4 x 4 posts = 10"
- Clean holes and check for straight walls

3. Install First Post

- Insert post in hole
- Determine rough height
- Fill hole around post with concrete mix (sand, gravel and cement) approximately 2" below grade
- Tamp concrete in hole to eliminate air pockets
- Level and square post

4. Install Bottom Rail

- Check bottom rail for drain holes
- Tape the ends of any rail being inserted into a post that is to be filled with concrete to prevent concrete seepage
- Depress bullet clip, insert rail in post
- Bullet clip will drop down and hold rail in post

5. Install Second Post

- Insert second post in hole
- Insert bottom rail in post
- Insert block under bottom rail to position at correct fence height
- Fill hole around second post with concrete mix
- Tamp, level and square fence
- Fence assembly may be continued by installing all bottom rails first, or one section at a time

6. Support and Secure

- Level and square fence
- To lower a post, place a wood block from corner to corner on the post and carefully tap with a mallet
- Never strike the PVC post without a wood support

7. Install Pickets and Rails

- Insert middle rail (if applicable) in post with large holes facing down
- Insert pickets through holes in middle rail
- Insert pickets in bottom rail. Temporarily remove middle rail ends from post. Insert top rail over pickets
- Insert middle rail and top rail in post

8. Secure Rails

- Square pickets and rails
- Check for even picket spacing on each end of rail
- Secure rail inside post with a #8 x 3/4" screw (do this on both ends)
- Level middle rail, secure rail to pickets with (2) #8 x 1-1/2" screws, snap caps and washers evenly spaced along rail

9. Hang Gate/Install Hardware

- For complete details, see gate installation instructions in hardware box
- Position gate between posts
- Allow 1" gap for hinge and 3/4" for latch and gate swing
- Block up gate to square with fence; rails should be level
- Gate hardware must be mounted to two sides of the post

10. Solidify Gate Posts

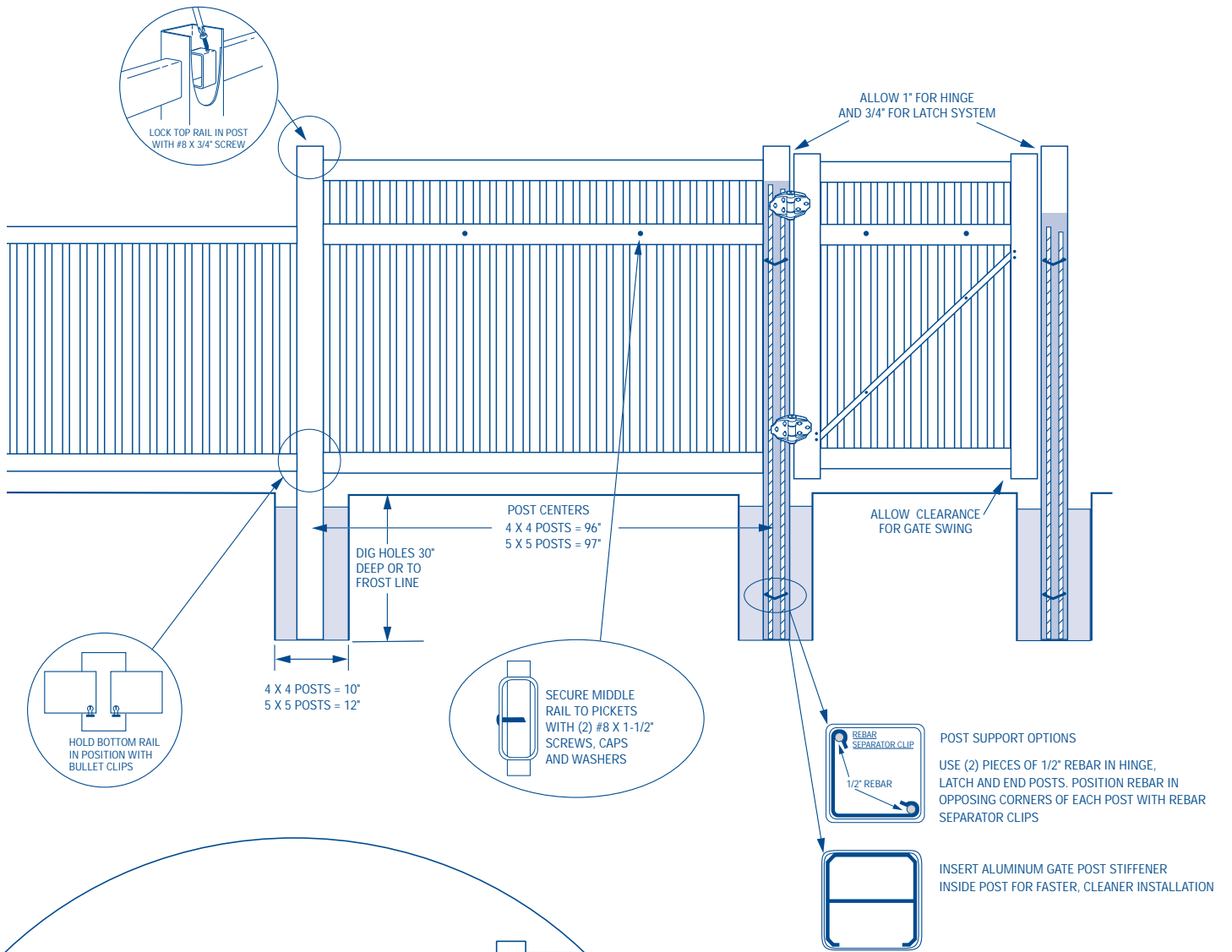
- It is critical that gate hinge and latch posts are solid to ensure proper gate functionality. Two methods are available:
 - A. Concrete and rebar
 - Use two pieces of 1/2" rebar in each hinge, latch and end post
 - Rebar should extend from the bottom of the hole to 12" from the top of the post
 - Hold rebar in opposite corners of post with rebar separator clips
 - Fill post with concrete mix to cover rebar and hardware fasteners
 - Tamp post with a rubber mallet to eliminate air pockets
 - Leave gate on blocks for 72 hours to allow concrete to set
 - B. Aluminum gate post stiffener
 - Slide aluminum gate stiffener inside hinge, latch or end posts
 - Drive a screw through the vinyl into the aluminum stiffener at the bottom of the post
 - Insert post into the ground
 - Fill hole with concrete around outside of post

11. Install Caps

- Install post caps
- Caps may be secured with glue, silicone adhesive or #8 x 3/4" screws, caps and washers

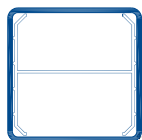
Semi-Private Fence

Includes: Imperial

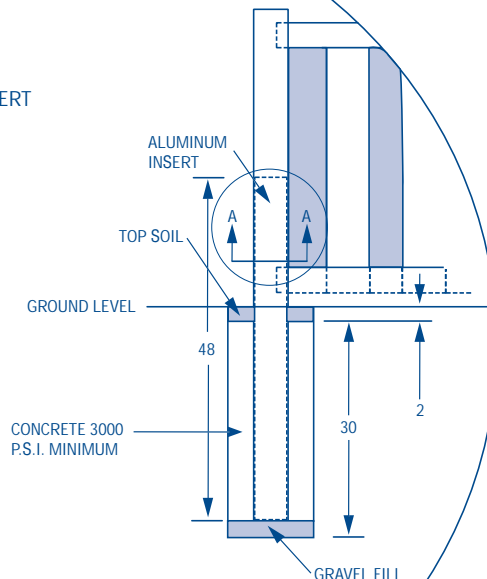


EMBEDMENT DETAIL FOR OPTIONAL LINE POST STIFFENER ALUMINUM INSERT

TO COMPLY WITH THE HIGH VELOCITY HURRICANE ZONES SECTION R44003.1.2.1 OF THE FLORIDA BUILDING CODE, A STEEL INSERT MUST BE ADDED TO THE TOP RAIL AND THE CENTER PICKET MUST BE ATTACHED TO THE TOP AND BOTTOM RAIL WITH (2) #8 X 1-1/2" SCREWS, CAPS, AND WASHERS



SECTION A-A
LINE POST STIFFENER
ALUMINUM INSERT



FEATURING
WINDBREAKER
TECHNOLOGY

Semi-Private Fence

Millbrook

1. Getting Started

- Be sure to call underground prior to digging
- Assemble gates (if necessary) and decide where they will be located
- Stake out the fence line
- Space and mark post hole locations for gate and sections (spacer bar/template may be useful)
- Start at gate end post and work outward to determine proper fence height relative to ground

2. Dig Holes

- Dig holes 30" deep or to frost line
 - hole size for 5 x 5 posts = 12"
- Clean holes and check for straight walls

3. Install First Post

- Insert post in hole
- Determine rough height
- Fill hole around post with concrete mix (sand, gravel and cement) approximately 2" below grade
- Tamp concrete in hole to eliminate air pockets
- Level and square post

4. Install Bottom Rail

- Tape the ends of any rail being inserted into a post that is to be filled with concrete to prevent concrete seepage
- Insert lock ring in each end of rail
- Depress lock ring tabs and insert rail in post
- Tabs will recoil to post and hold rail in post

5. Install Second Post

- Insert second post in hole
- Insert bottom rail in post
- Insert block under bottom rail to position at correct fence height
- Fill hole around second post with concrete mix
- Tamp, level and square fence
- Fence assembly may be continued by installing all bottom rails first, or one section at a time

6. Support and Secure

- Level and square fence
- To lower a post, place a wood block from corner to corner on the post and carefully tap with a mallet
- Never strike the PVC post without a wood support

7. Install Pickets and Rails

- Insert middle rail in post with large holes facing down
- Insert pickets through holes in middle rail
- Insert pickets in bottom rail. Temporarily remove middle rail ends from post. Insert top rail over pickets
- Insert middle rail and top rail in post

8. Secure Rails

- Square pickets and rails
- Check for even picket spacing on each end of rail
- Secure rail inside post with a #8 x 3/4" screw (do this on both ends)
- Level middle rail, secure rail to pickets with (2) #8 x 1-1/2" screws, snap caps and washers evenly spaced along rail

9. Hang Gate/Install Hardware

- For complete details, see gate installation instructions in hardware box
- Position gate between posts
- Allow 1" gap for hinge and 3/4" for latch and gate swing
- Block up gate to square with fence; rails should be level
- Gate hardware must be mounted to two sides of the post

10. Solidify Gate Posts

- It is critical that gate hinge and latch posts are solid to ensure proper gate functionality. Two methods are available:
 - A. Concrete and rebar
 - Use two pieces of 1/2" rebar in each hinge, latch and end post
 - Rebar should extend from the bottom of the hole to 12" from the top of the post
 - Hole rebar in opposite corners of post with rebar separator clips
 - Fill post with concrete mix to cover rebar and hardware fasteners
 - Tamp post with a rubber mallet to eliminate air pockets
 - Leave gate on blocks for 72 hours to allow concrete to set
 - B. Aluminum gate post stiffener
 - Slide aluminum gate stiffener inside hinge, latch or end posts
 - Drive a screw through the vinyl into the aluminum stiffener at the bottom of the post
 - Insert post into the ground
 - Fill hole with concrete around outside of post

11. Install Caps

- Install post caps
- Caps may be secured with glue, silicone adhesive or #8 x 3/4" screws, caps and washers

Semi-Private Fence

Includes: Millbrook

