

INSTALLATION INSTRUCTIONS **NORTH AMERICA**

MAGNA-LATCH®

For swimming and other child safety gates, most safety standards specify the following minimum height requirements above the finished ground/fixing surface:

1) latch release knob 'F' at minimum 54"-59" (1370-1500mm); 2) fence height of between 4' & 6' (1200 & 1820mm)
Always confirm these and other requirements with the appropriate pool or safety authorities in your area and install this latch in accordance with the local fence/barrier codes and regulations. Also, pool gate must open outward, away from the pool, so this latch must be fitted to the *outside* of a pool gate. **Tools:** Electric and cordless drills, drill bits, Phillips No. 2 screwdriver (hand & powered types). Note: If mounting to steel or vinyl with aluminum or steel inserts, it is advisable to pre-drill the holes to prevent screw breakage.

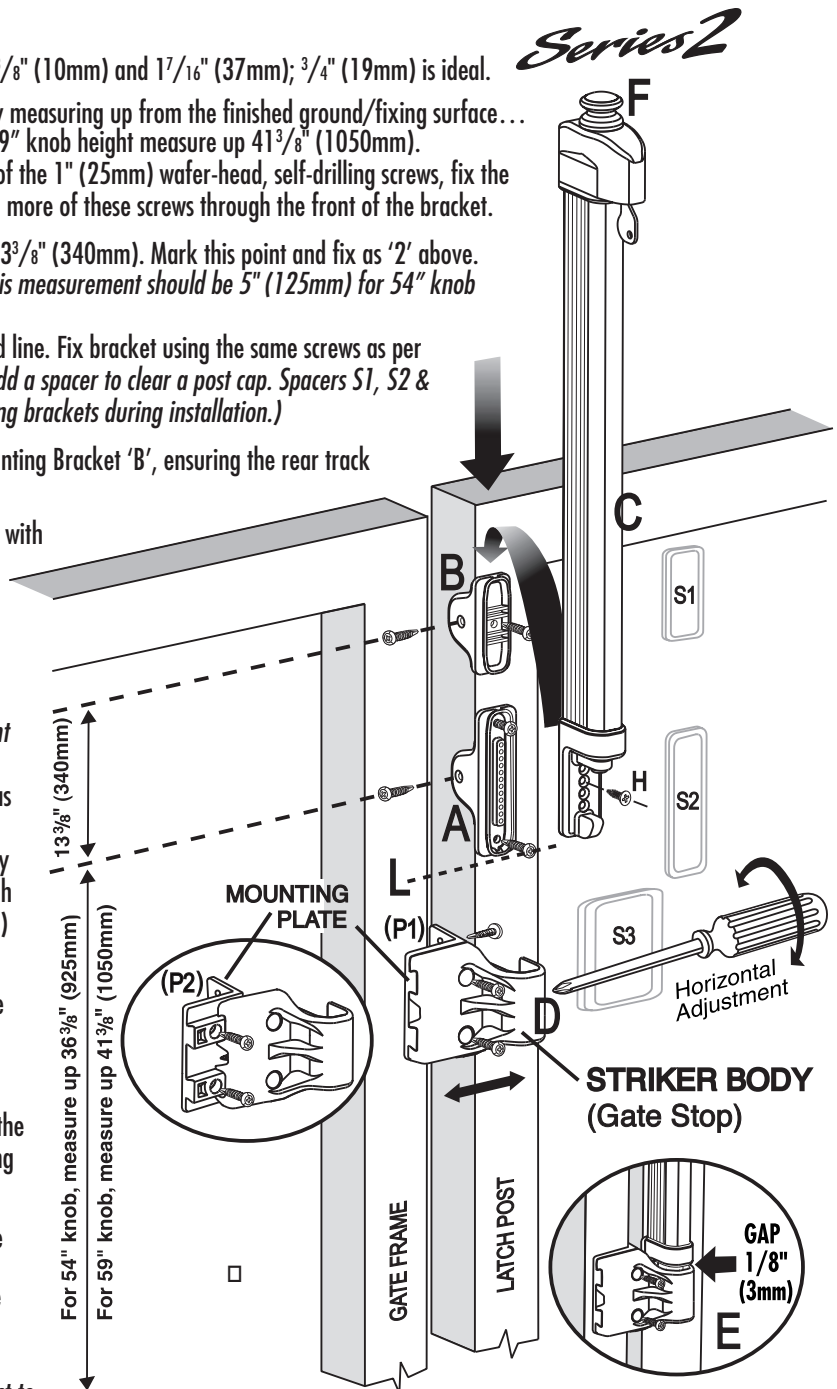
Installation Procedure

1. The gap between gate frame and latch post must be between $\frac{3}{8}$ " (10mm) and $\frac{17}{16}$ " (37mm); $\frac{3}{4}$ " (19mm) is ideal.
2. Determine the location of the hole for Mounting Bracket 'A' by measuring up from the finished ground/fixing surface...
 - for 54" knob height measure up $36\frac{3}{8}$ " (925mm);
 - for 59" knob height measure up $41\frac{3}{8}$ " (1050mm).Place Mounting Bracket 'A' on the post as shown, and, using one of the 1" (25mm) wafer-head, self-drilling screws, fix the bracket to the post – through the side fixing hole. Now install two more of these screws through the front of the bracket.
3. To install Mounting Bracket 'B' measure up from Bracket 'A' $13\frac{3}{8}$ " (340mm). Mark this point and fix as '2' above. **NOTE: For 4 feet (1200mm) fences without an extra-high post, this measurement should be 5" (125mm) for 54" knob height and 10" (250mm) for 59" knob height.**
Place the Bracket 'B' so that the holes are centered on the marked line. Fix bracket using the same screws as per Bracket 'A'. (**NOTE: In some applications it may be necessary to add a spacer to clear a post cap. Spacers S1, S2 & S3 are for this purpose and should be inserted behind the mounting brackets during installation.**)
4. Take the main LATCH BODY 'C' and slide it down onto the Mounting Bracket 'B', ensuring the rear track of the latch slides over brackets 'B', then 'A'.
5. Slide the Latch Body until the bottom of the latch aligns neatly with the lower end of Bracket 'A' (see dashed line 'L'). Take the single $\frac{3}{8}$ " (10mm) countersunk screw 'H' and secure the Latch Body – **DO NOT** use a power or cordless drill – to Bracket 'A'.

6. The final part to be installed is the STRIKER BODY 'D'.
Note that the Striker Body slides on a dovetail track within the Mounting Plate (P1, P2) and is operated by an internal adjustment screw; NEVER use a powered drill to adjust this screw.
See Diagram 'E'. Locate the Striker Body assembly onto the post as shown. Position the Striker Body to obtain a $\frac{1}{8}$ " (3mm) gap between the lower part of the latch and the top of the Striker Body as shown. Maintain this gap and fix two 1" (25mm) screws through the two main holes of the Striker Body. The two, small (cylindrical) dress plugs supplied should now be pressed into the screw holes.

7. a) Open the gate and secure two more screws through the side leg of the Mounting Plate. *Note: If the width of the gate frame is $1\frac{1}{2}$ " (38mm) or greater, follow step b).*
b) With the gate open, adjust the Striker Body using the screwdriver in the adjustment screw. Turn counter-clockwise until the two holes are exposed, as in Diagram 'P2'. Fix the two remaining screws to secure the Mounting Plate.

8. Use the screwdriver to adjust the Striker Body to align with the Latch Body, as shown in Diagram 'E'. Open and close the gate to check the latch operates correctly. Adjust as necessary at any time after installation to ensure safe operation of the latch.
NOTE: Future vertical adjustment of the latch can be achieved by removing the screw 'H', sliding the Latch Body up or down the post to obtain correct operational alignment, then inserting the screw into the appropriate hole.



Made in  Australia

d.d technologies

AUSTRALIA: 192 Harbord Rd, Brookvale NSW 2100
USA: 7731 Woodwind Drive, Huntington Beach, CA 92647

MLINSTR0002PA

*pk-ml/fl1 (5/01)001

Swimming pool fences, gates and latches cannot substitute for adult supervision. If using this latch on a swimming pool gate, consult all appropriate local authorities for safety requirements. The latch will operate properly only if installed and maintained in accordance with these instructions.

MAINTENANCE: REMOVE KEY FROM LOCK AFTER USE. Regularly lubricate the key-lock part of this latch by spraying oil-based lubricant into lock. Do not lubricate any other part of the latch. Ensure all screws or bolts are tightened firmly and that the release knob [F] and latching bolt are kept free of sand, debris or ice which could impair latch performance.

WARRANTY & LIMITATION OF LIABILITY: The products are warranted to be free of defects in materials and workmanship to the original purchaser for as long as he/she owns the product. If a structural material defect appears, the original purchaser may return the item, freight prepaid, together with proof of purchase to the company or its approved international agents. The company or agent will, at its discretion, repair or replace the defective item or part without charge to the purchaser. Anodised, powdercoated and printed finishes are not "structural material" and warranties for such finishes are limited to those offered by the current powdercoat manufacturers or applicators. THIS WARRANTY SHALL NOT APPLY WHEN the product has been tampered with, when repairs or attempted repairs have been made by unauthorised persons, where the item has been subjected to misuse, abuse, accident or damage in transit, or where the installer has not followed the instructions set out during installation or operations. IN NO EVENT SHALL THE COMPANY BE LIABLE FOR ANY INCIDENTAL OR CONSEQUENTIAL DAMAGES. No warranty is given other than that set out above. No other express or implied warranties (including statutory warranties) apply, other than warranties which may not be legally excluded.